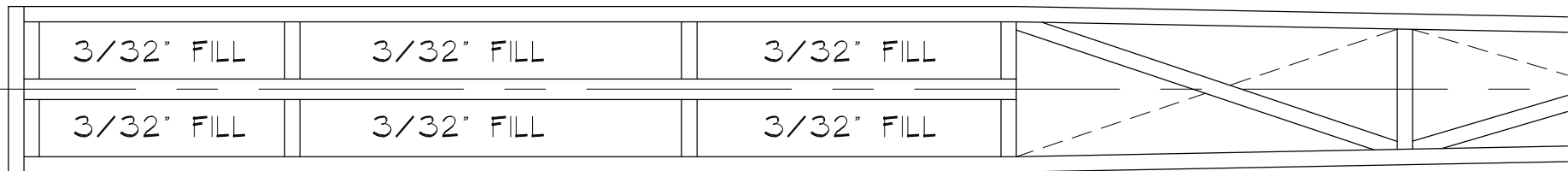
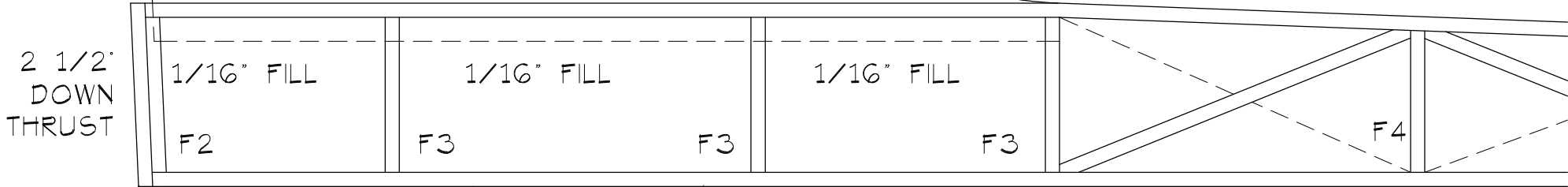
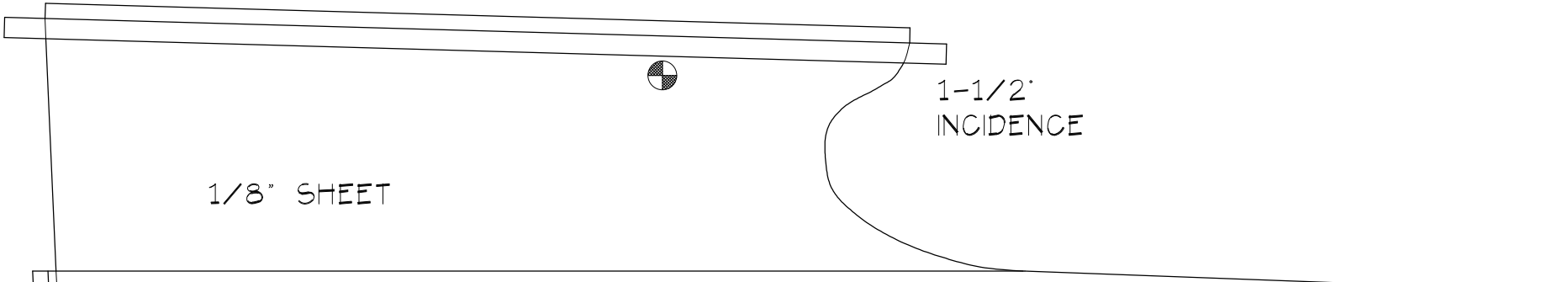


A



BUILD FUSELAGE FROM BOTTOM UP



1/8" LITE-PLY

3/32" SQ LONGERONS

1/8" x 3/16" SQ BASSWOOD SKID

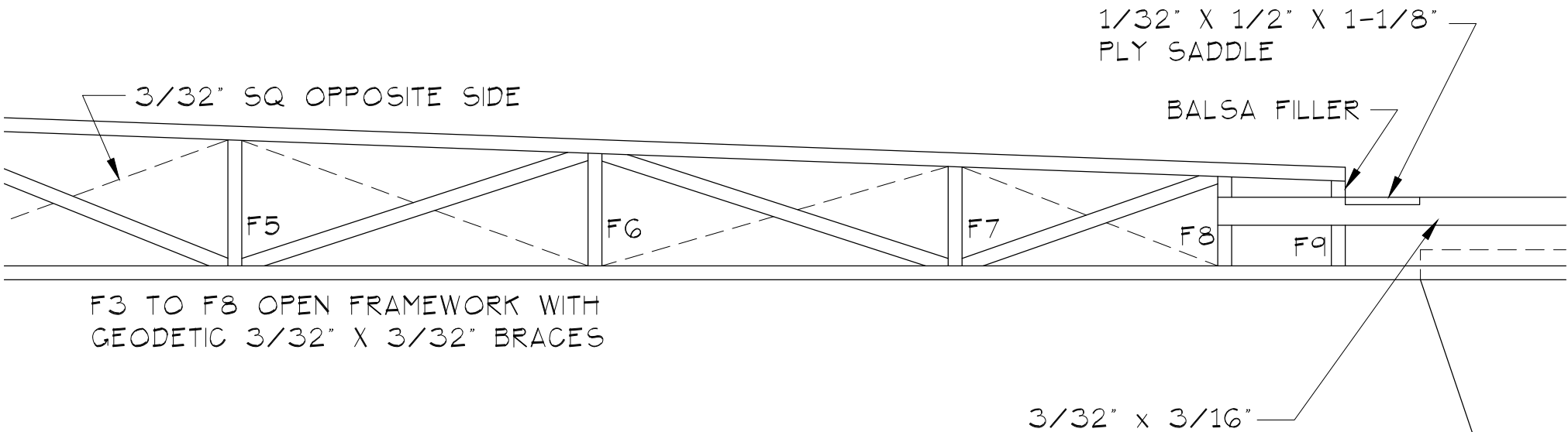
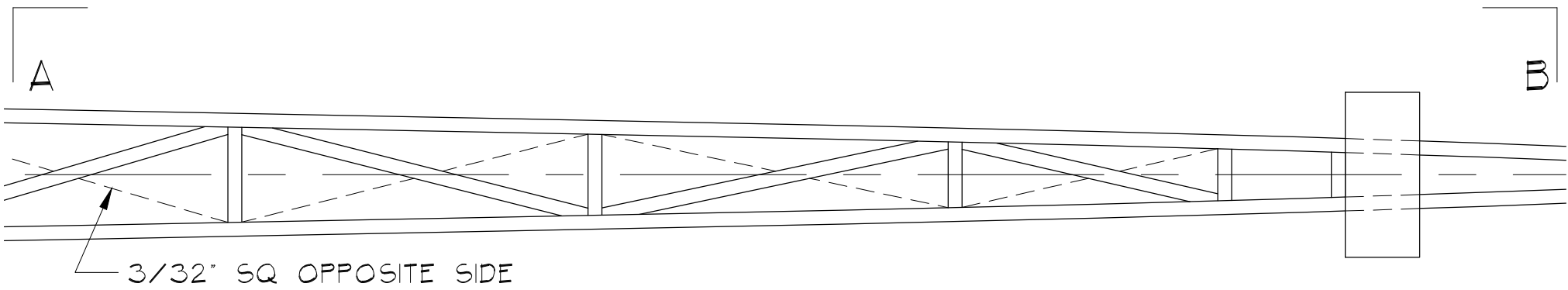
"1/4 A" HOOSIER HOTSHOT

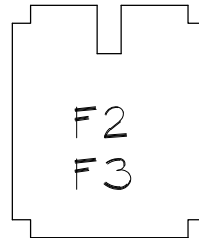
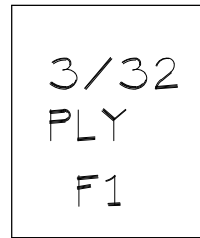
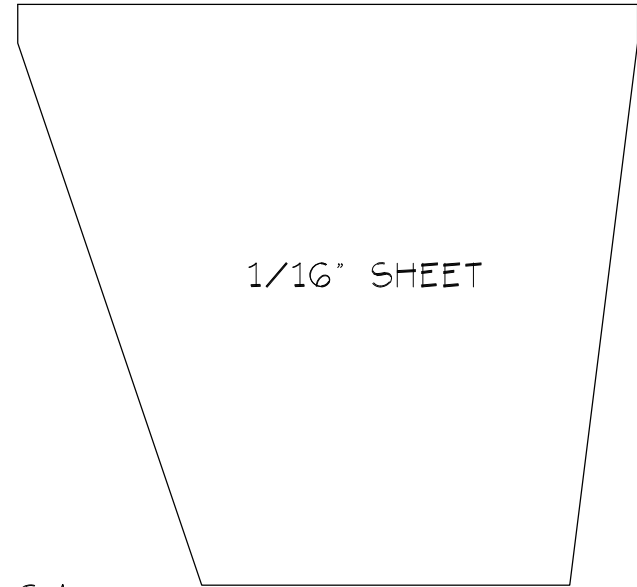
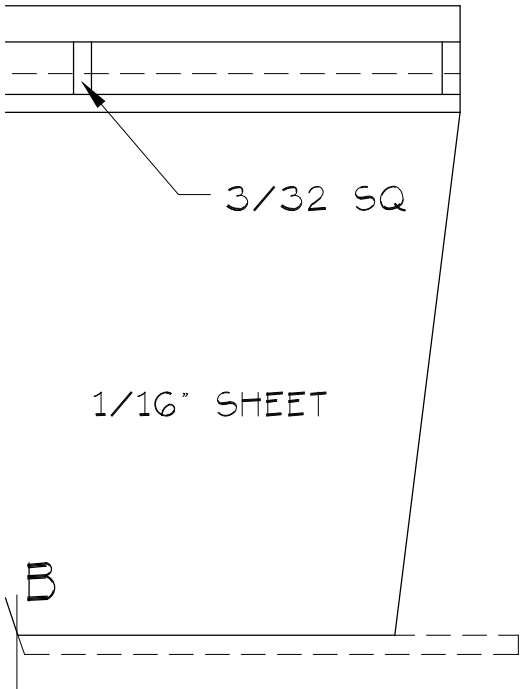
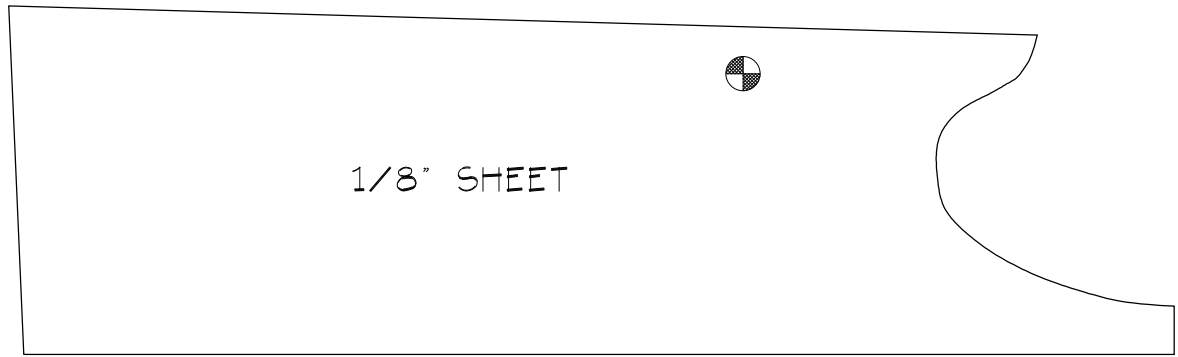
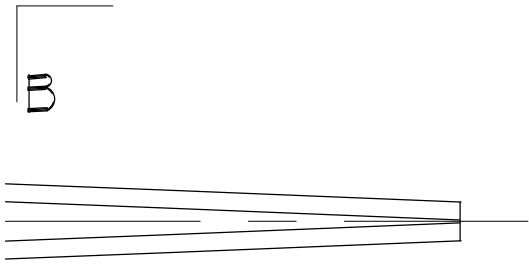
1956 PROTOTYPE MK I by Bob Larsh
 NFFS NOSTALGIA APPROVED
 WING AREA: 180 Sq in Flat Span
 Wing Span: 35 1/2". Fuselage Length: 22 3/16"
 Revised by George S. Gilbert (5/20/2010)



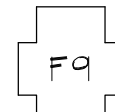
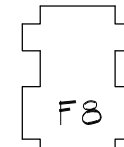
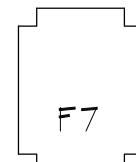
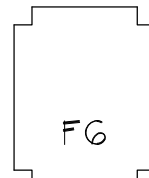
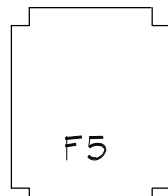
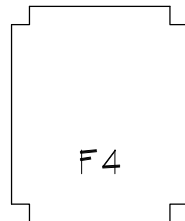
FROM THE WORK
 STATION OF GILBERT'S
 DESIGN SPECIALTIES, LLC

A



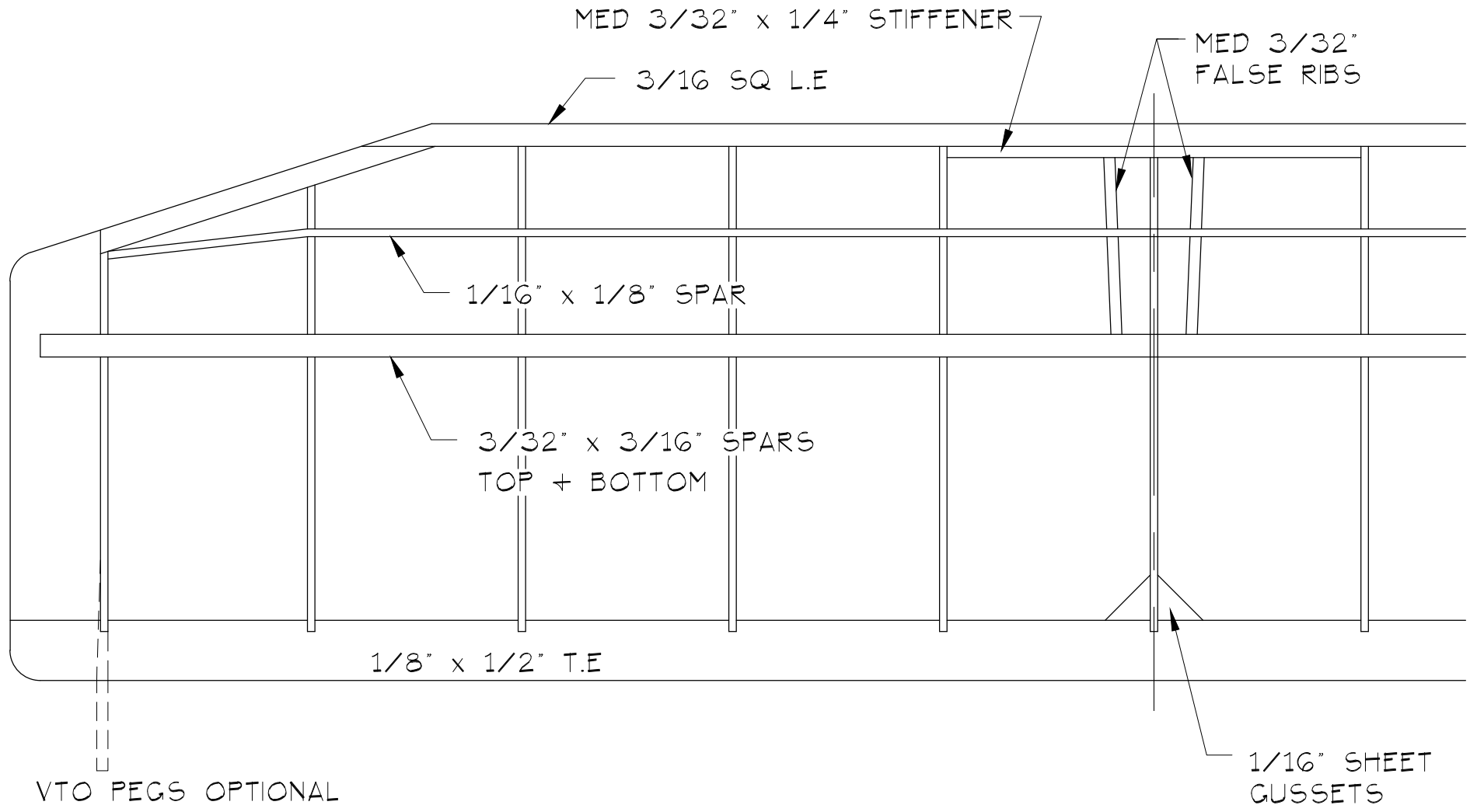


F2. F3 3/32 MED. BALSA



F4 THRU F9 3/32 LIGHT BALSA

C

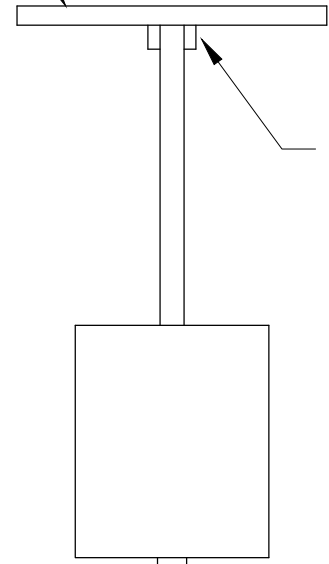
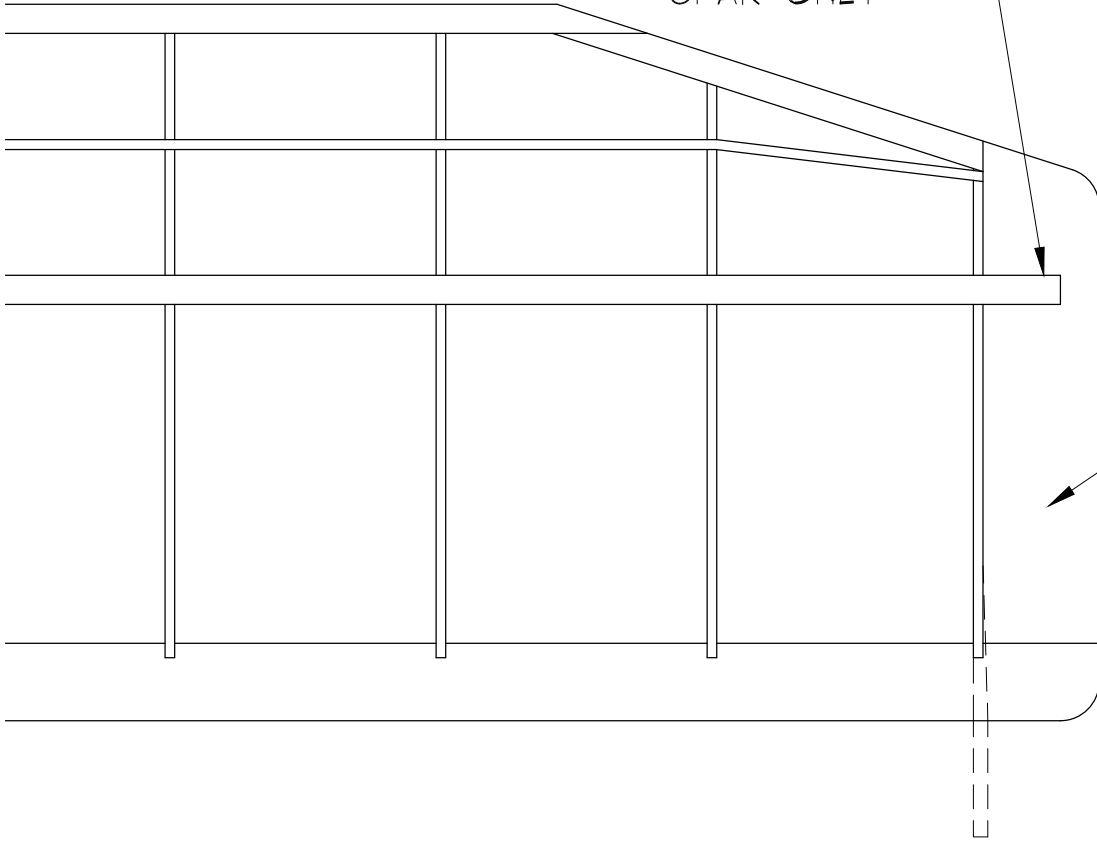


C

C

3/32" x 1 1/2" x 5 3/8"
WING SADDLE

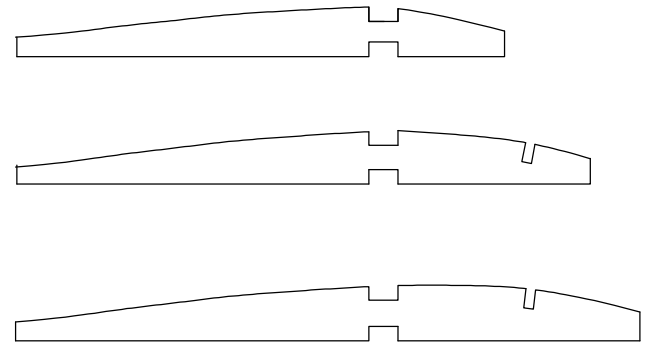
OVERLAP TOP
SPAR ONLY



1/8" x 1/16"
BASSWOOD
STRIPS

1/16" SHEET

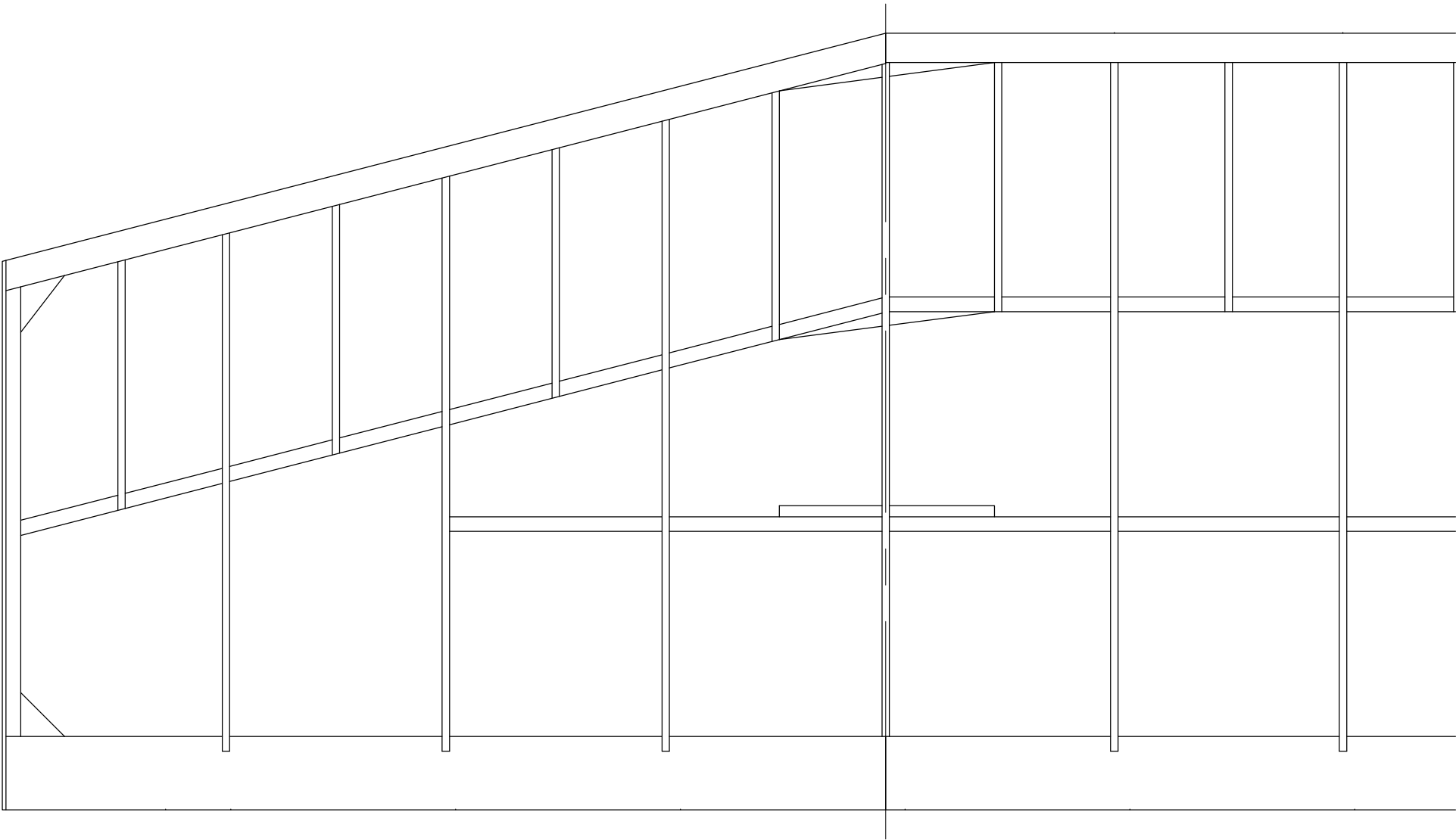
SKID



STAB RIBS 1/16"
LIGHT SHEET Balsa

C

D



D

D

E

3/16" SQ L.E.

1/8" x
5/16" SPAR

3/32"
BALSA
STIFFENERS
(TYP)

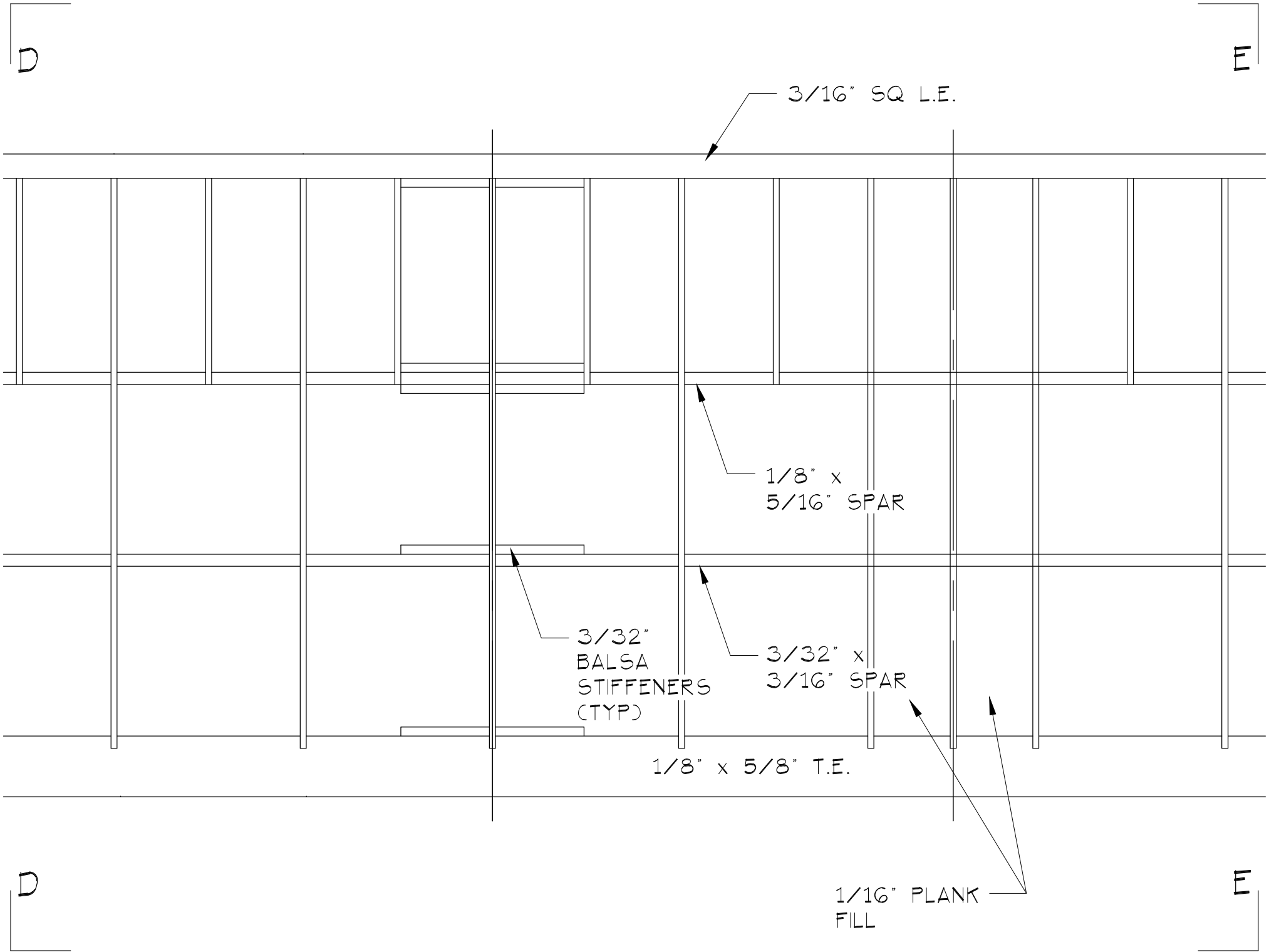
3/32" x
3/16" SPAR

1/8" x 5/8" T.E.

1/16" PLANK
FILL

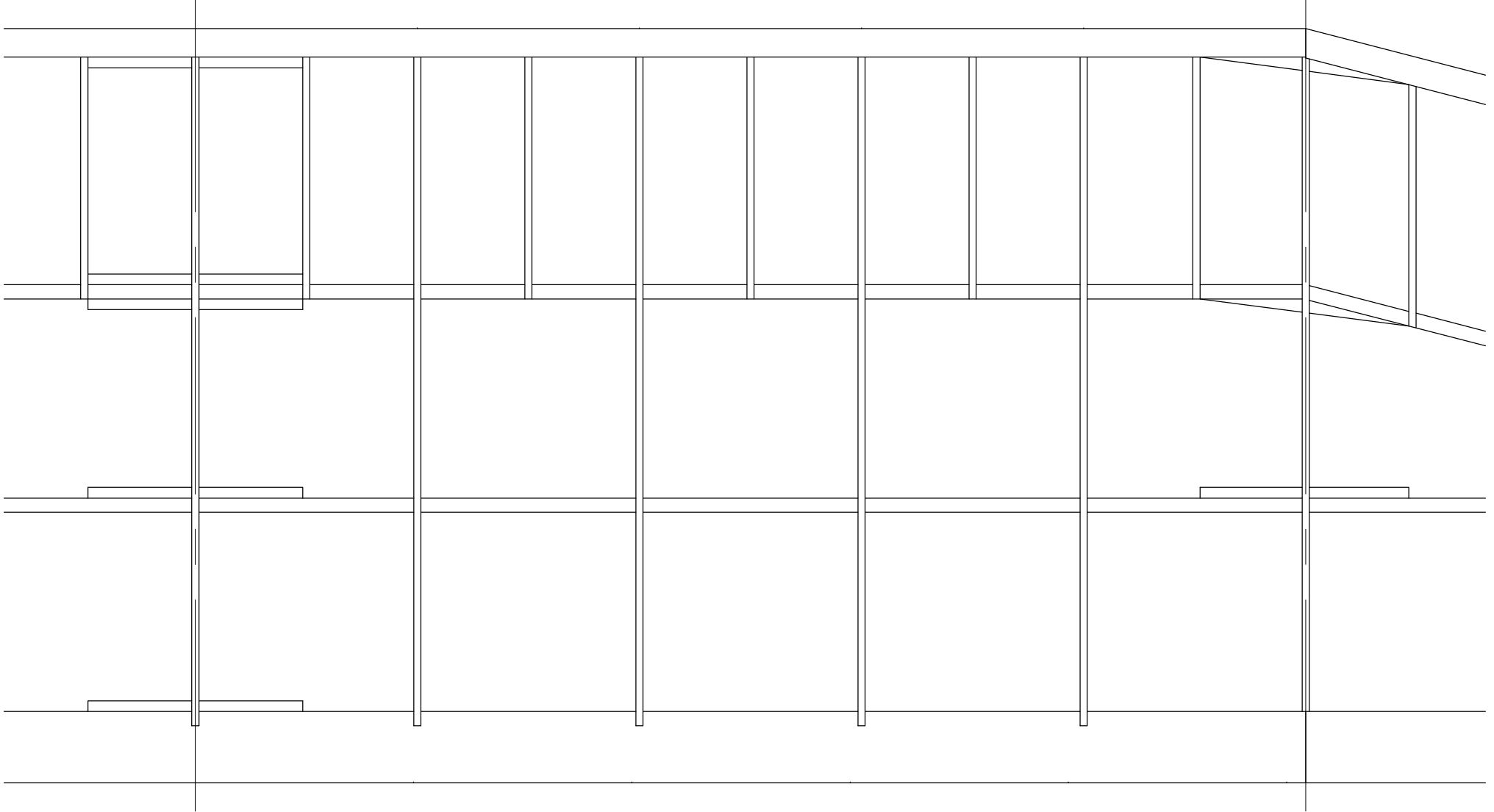
D

E



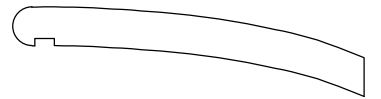
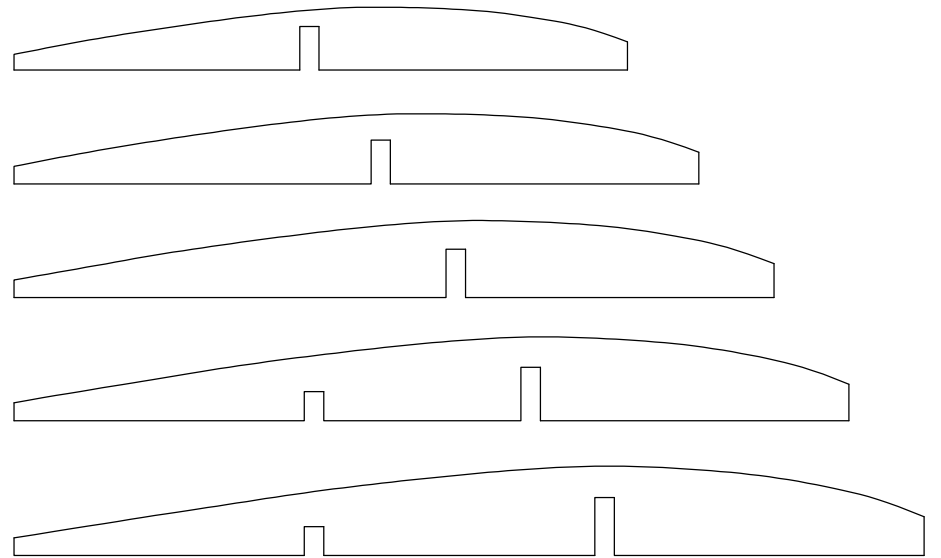
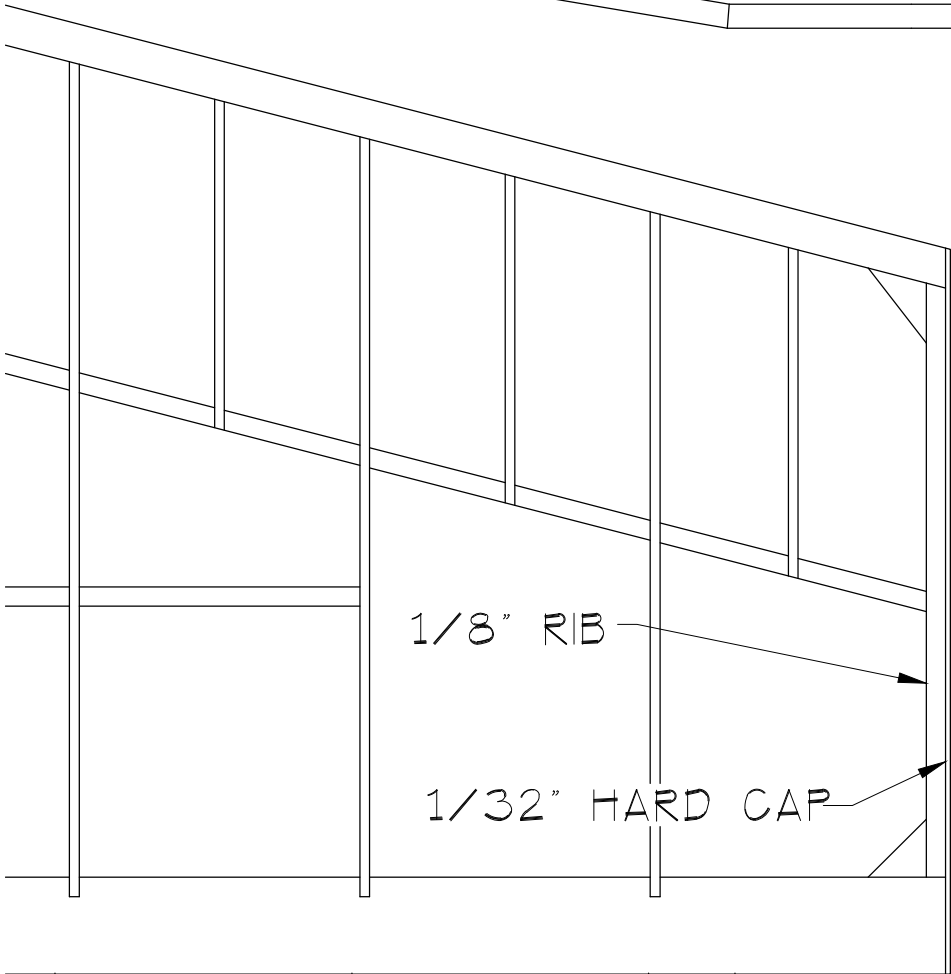
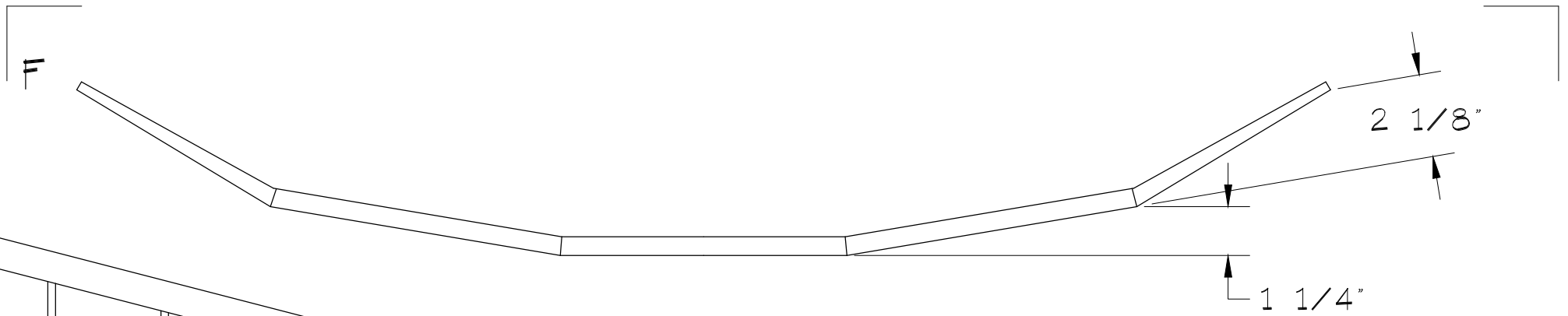
11

11



11

11



ALL WING RIBS 1/16"
LIGHT SHEET Balsa

F